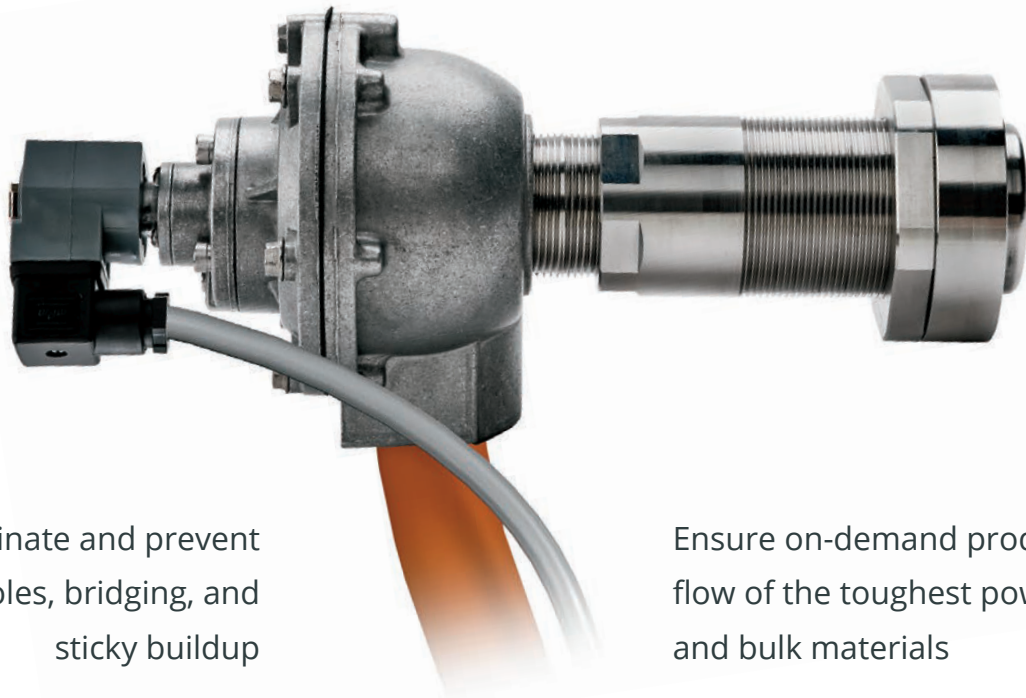


# AIRSWEEP®

**MATERIAL ACTIVATION SYSTEMS**

**THE PROVEN SOLUTION FOR TOUGH  
MATERIAL FLOW PROBLEMS**



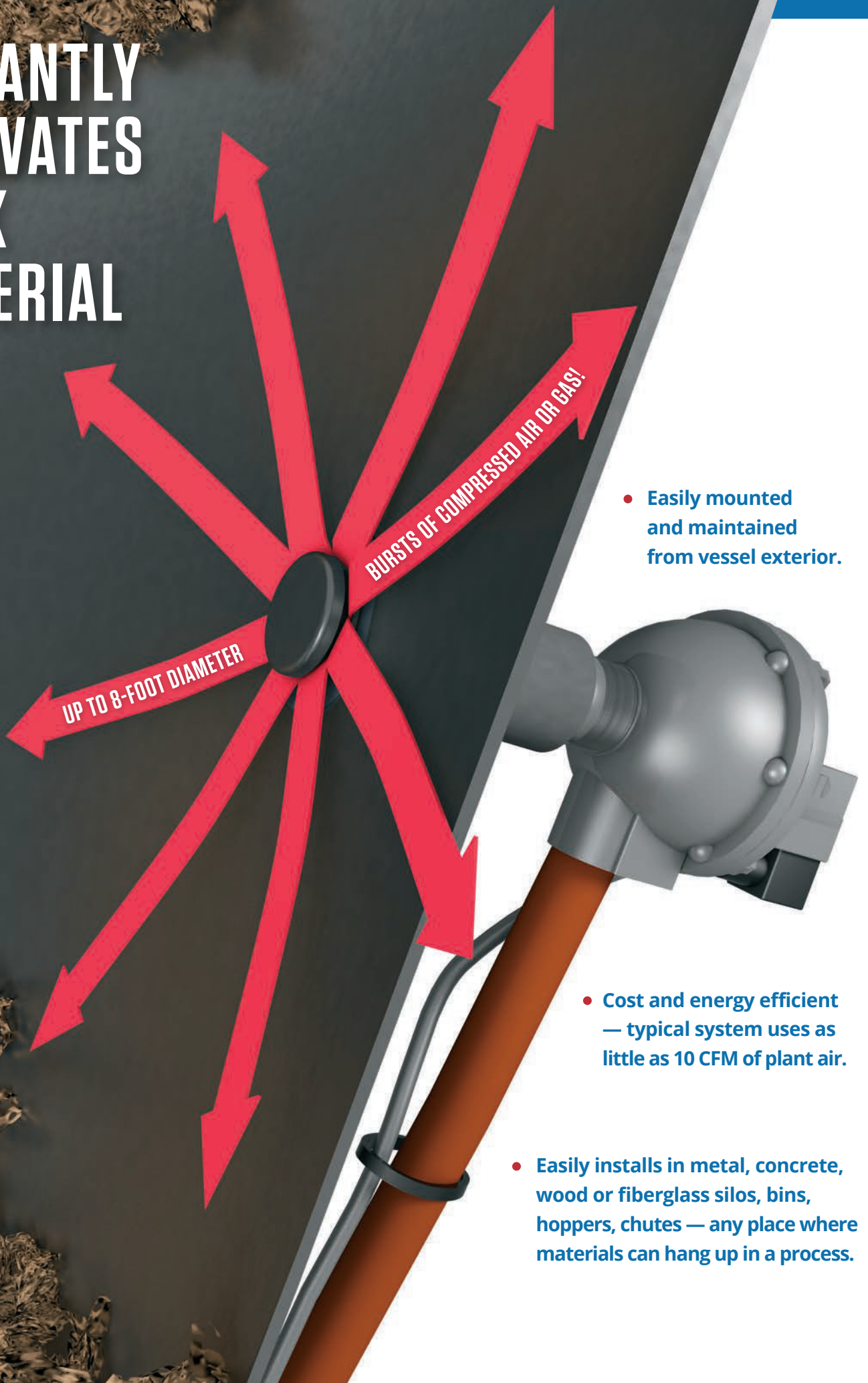
Eliminate and prevent  
ratholes, bridging, and  
sticky buildup

Ensure on-demand product  
flow of the toughest powder  
and bulk materials

**THE PROOF IS IN THE FLOW!**

[AIRSWEEP.COM](http://AIRSWEEP.COM)

# INSTANTLY ACTIVATES BULK MATERIAL



UP TO 8-FOOT DIAMETER

BURSTS OF COMPRESSED AIR OR GAS!

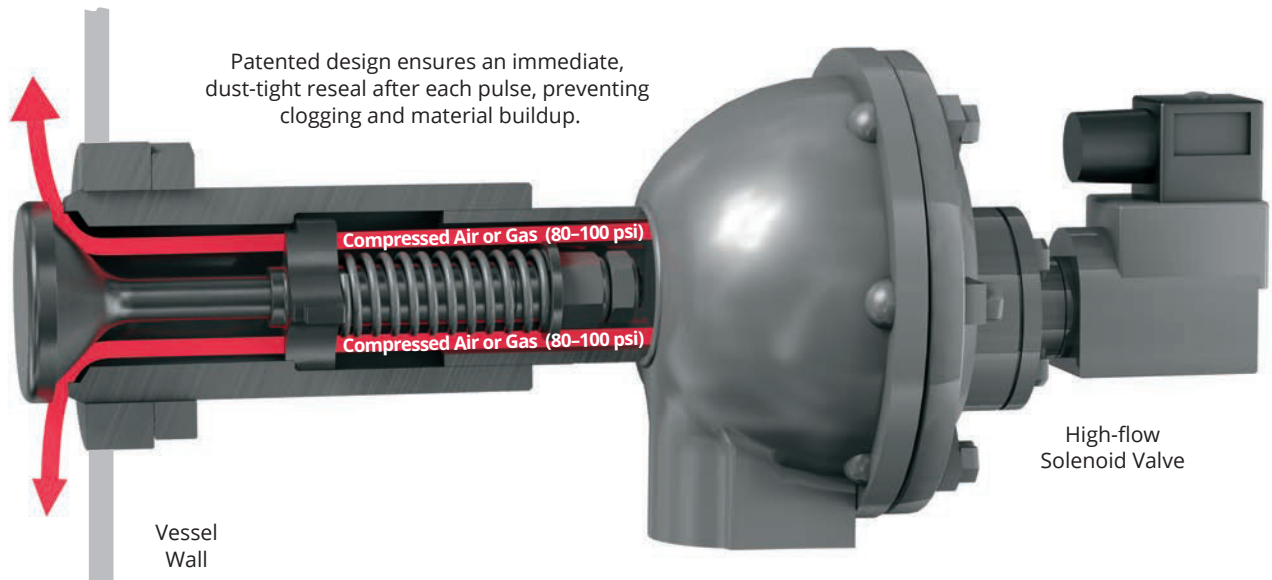
- Easily mounted and maintained from vessel exterior.
- Cost and energy efficient — typical system uses as little as 10 CFM of plant air.
- Easily installs in metal, concrete, wood or fiberglass silos, bins, hoppers, chutes — any place where materials can hang up in a process.

**Prevent and eliminate hang-ups and blockages in your silos, bins, hoppers, and chutes** with coordinated, 360-degree bursts of compressed air/gas. Each pulse activates up to an 8' diameter of material without vibration or stress to the vessel.

**Activate bulk material with a first-in, first-out controlled flow** with sequenced pulsing of strategically-positioned AirSweeps.

**Installed and maintained from outside the bin**, each AirSweep can easily be retrofitted for any application—even in temperatures up to 900° F.

**Virtually maintenance-free performance.** The patented valve design utilizes only one moving part, ensuring an immediate reseal after each pulse, to prevent material feedback.



**Models and mounting available in many sizes and materials of construction to fit any application.**

#### MODELS

**VA-06 (3/4")** – For small vessels and chutes

**VA-12 (1-1/2")** – For medium-sized vessels and chutes

**VA-51 (2")** – For large vessels and chutes

**Straight Shooter** – For applications requiring a focused column of air

**Tri-Clamp** – For applications requiring easy installation and removal

**USDA-Accepted** – For sanitary processing applications

#### STANDARD MATERIALS OF CONSTRUCTION INCLUDE:

- Carbon Steel
- 304 Stainless Steel
- 316 Stainless Steel

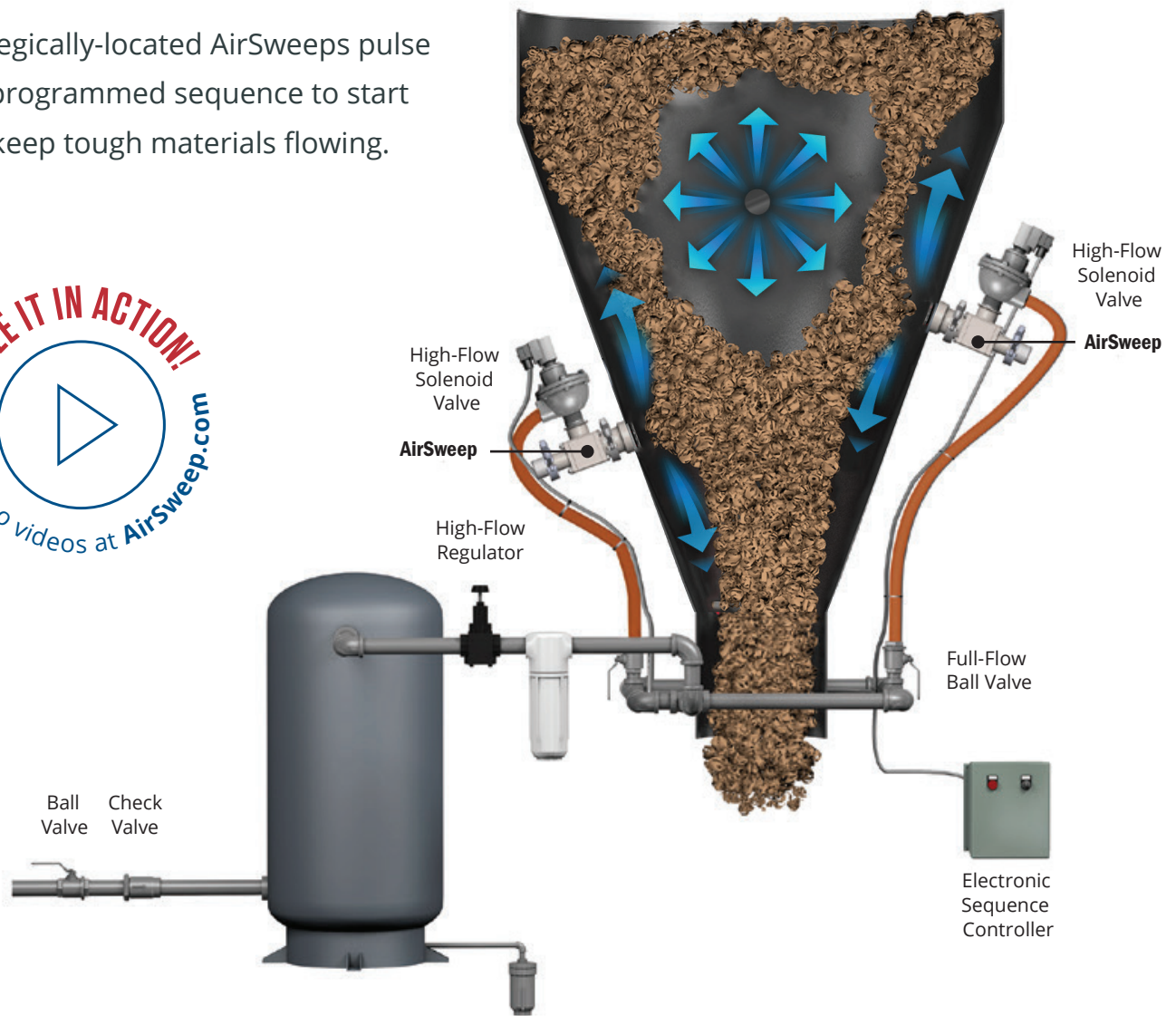
Other materials available upon request.

**CONTACT US TO DETERMINE WHICH MODEL IS APPROPRIATE FOR YOUR SPECIFIC APPLICATION**

860-928-6551 • [Sales@ControlConceptsUSA.com](mailto:Sales@ControlConceptsUSA.com)

# TYPICAL AIRSWEEP® SYSTEM

Strategically-located AirSweeps pulse in a programmed sequence to start and keep tough materials flowing.



Phone: 860-928-6551

Fax: 860-928-9450

Email: [Sales@ControlConceptsUSA.com](mailto:Sales@ControlConceptsUSA.com)

**USA Office**  
19 S. Main Street  
Brooklyn, CT 06234

**Asia Office**  
160 Robinson Road  
#14-04 Singapore Business Federation Centre  
Singapore 068914

Proudly made in the USA. ©2020 Control Concepts USA. All rights reserved.