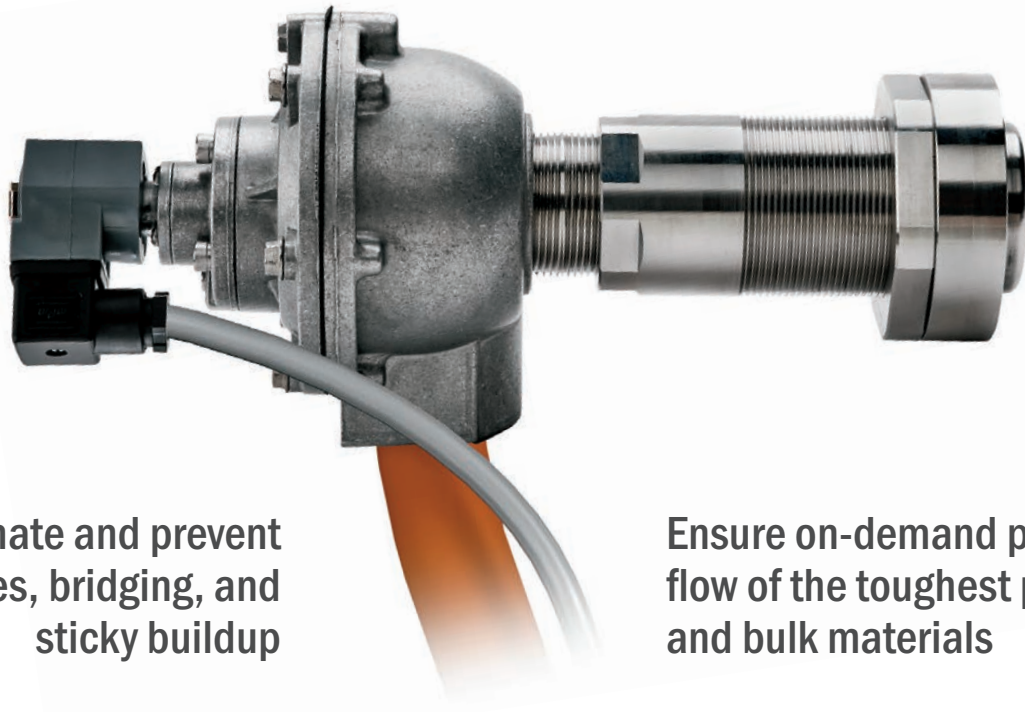


AIRSWEEP

MATERIAL ACTIVATION SYSTEMS

The Proven Solution for Tough Material Flow Problems



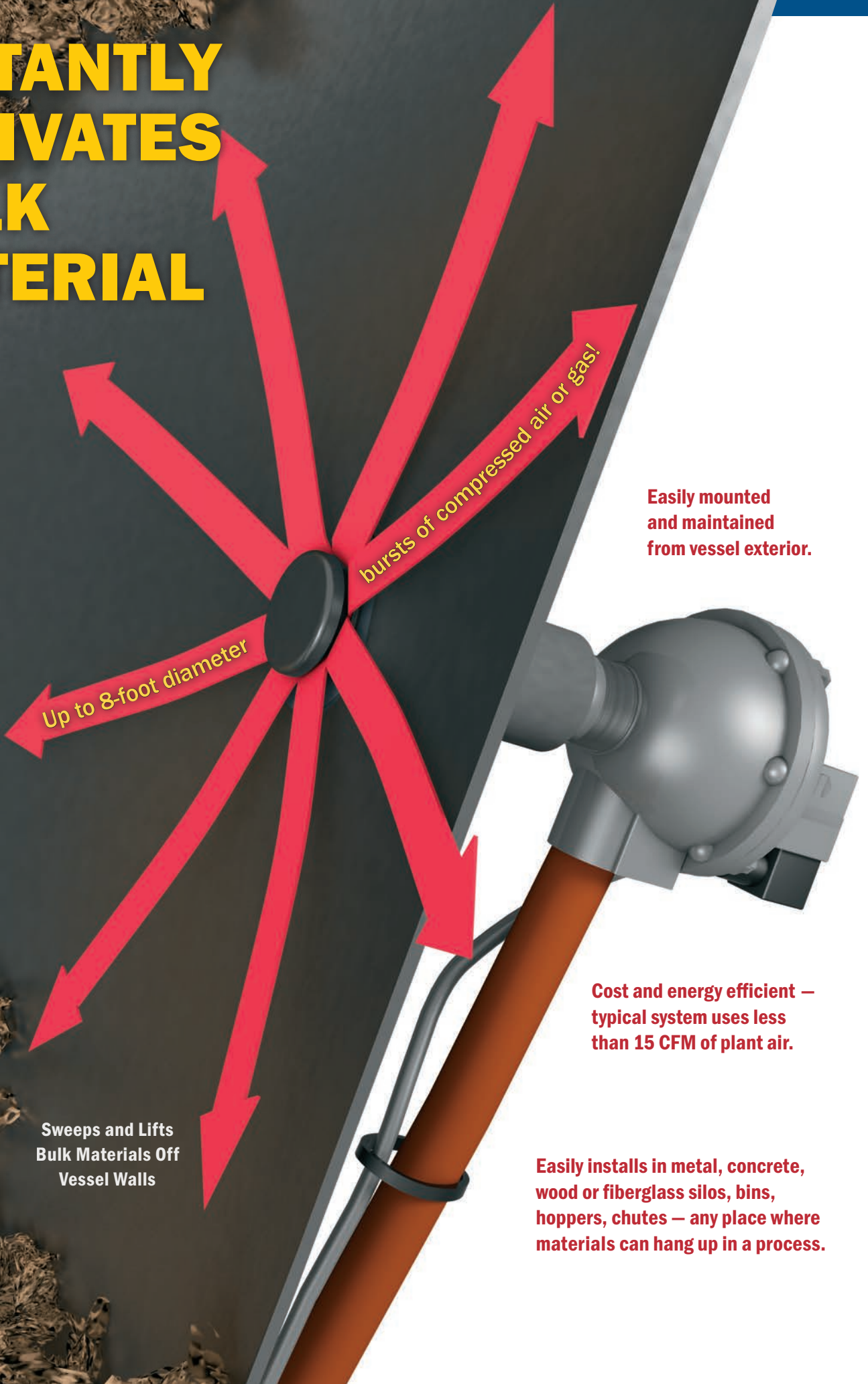
Eliminate and prevent
ratholes, bridging, and
sticky buildup

Ensure on-demand product
flow of the toughest powder
and bulk materials

The Proof is in the Flow!

www.AirSweepSystems.com

INSTANTLY ACTIVATES BULK MATERIAL



Up to 8-foot diameter

bursts of compressed air or gas!

Easily mounted
and maintained
from vessel exterior.

Sweeps and Lifts
Bulk Materials Off
Vessel Walls

Cost and energy efficient –
typical system uses less
than 15 CFM of plant air.

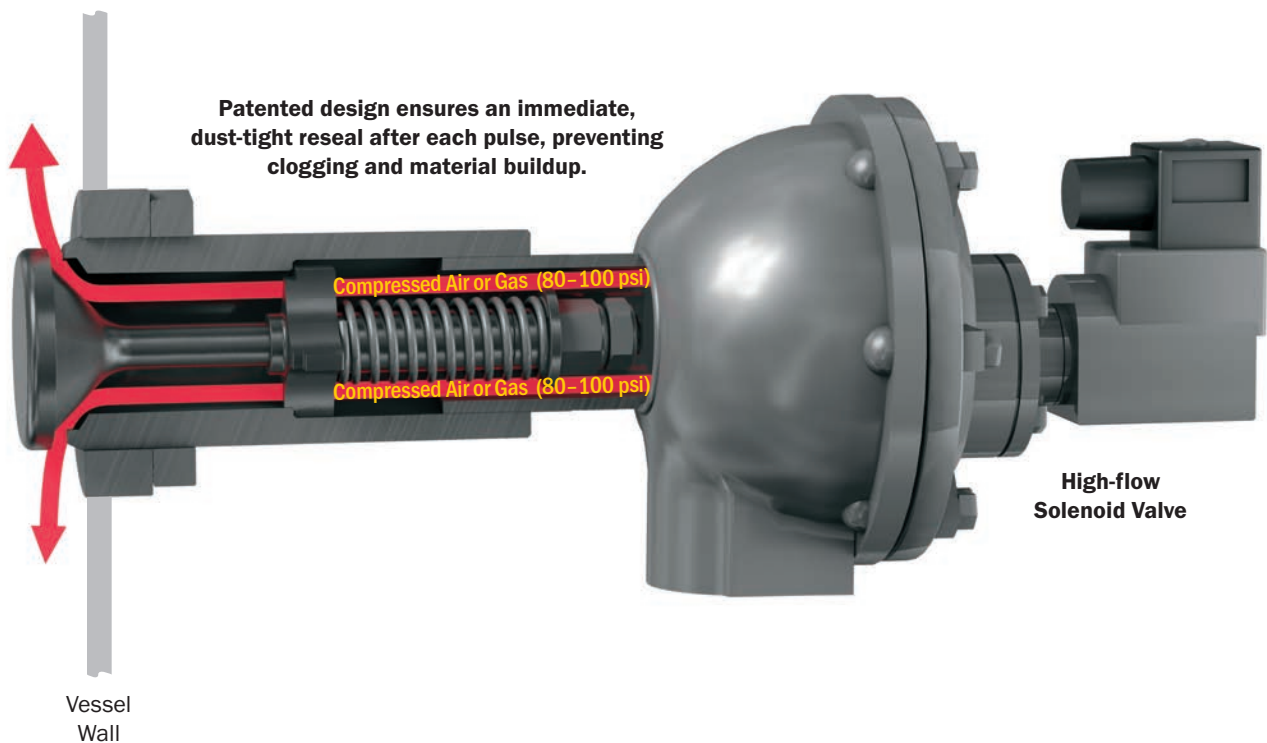
Easily installs in metal, concrete,
wood or fiberglass silos, bins,
hoppers, chutes – any place where
materials can hang up in a process.

Prevent and eliminate hang-ups and blockages in your silos, bins, hoppers, and chutes with coordinated, 360-degree bursts of compressed air/gas. Each pulse activates up to an 8' diameter of material without vibration or stress to the vessel.

Activate bulk material with a first-in, first-out controlled flow with sequenced pulsing of strategically-positioned AirSweeps.

Installed and maintained from outside the bin, each AirSweep can easily be retrofitted for any application—even in temperatures up to 900° F.

Virtually maintenance-free performance. The patented valve design utilizes only one moving part, ensuring an immediate reseal after each pulse, to prevent material feedback.



Models and mounting available in many sizes and materials of construction to fit any application.

Models:

VA-06 (3/4") – For small vessels and chutes

VA-12 (1-1/2") – For medium-sized vessels and chutes

VA-51 (2") – For large vessels and chutes

Straight Shooter – For applications requiring a focused column of air

Tri-Clamp – For applications requiring easy installation and removal

USDA-Accepted – For sanitary processing applications

Standard materials of construction include:

- Carbon Steel
- 304 Stainless Steel
- 316 Stainless Steel

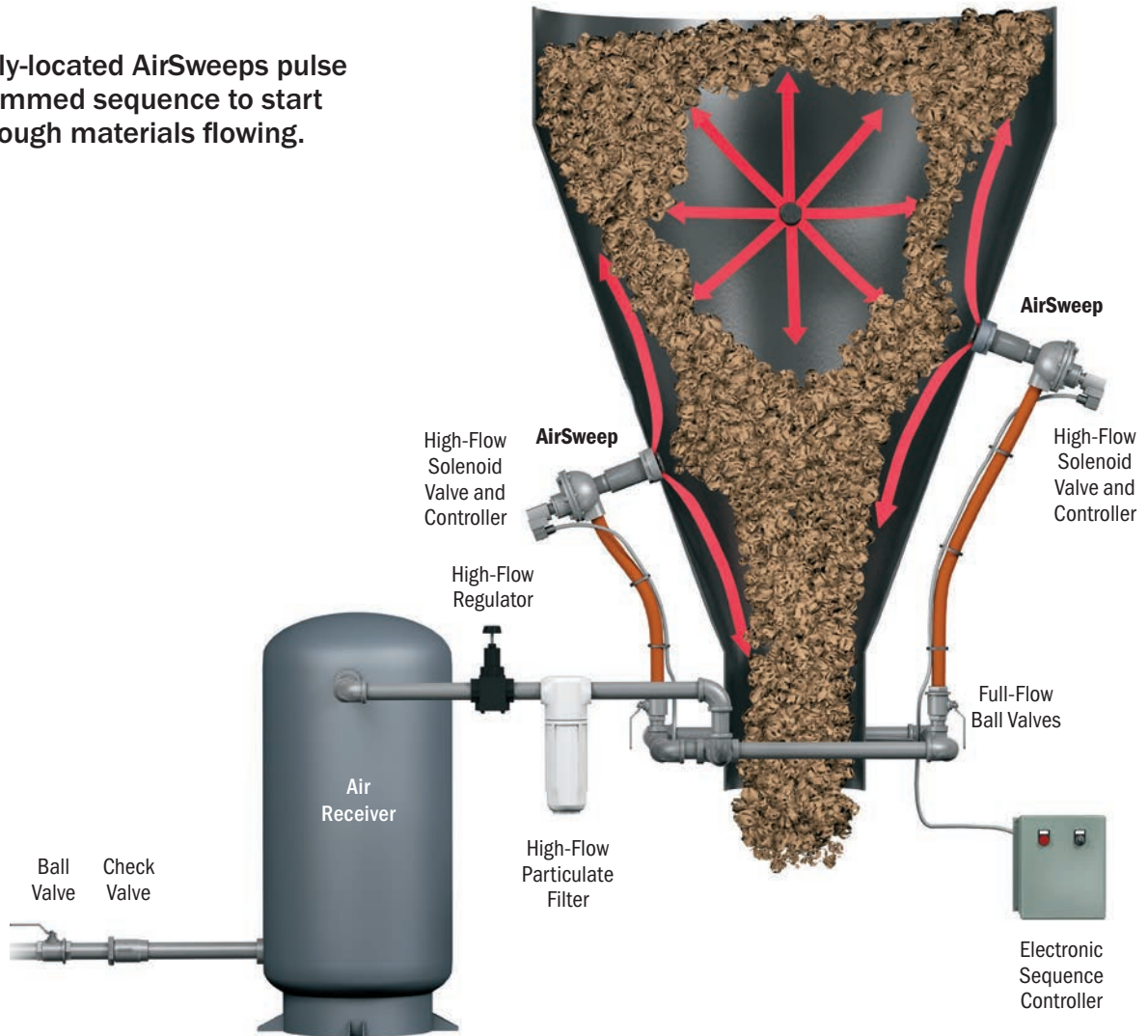
Other materials available upon request.

Contact us to determine which model is appropriate for your specific application.

860-928-6551 • Sales@ControlConceptsUSA.com

Typical AirSweep® System

Strategically-located AirSweeps pulse in a programmed sequence to start and keep tough materials flowing.



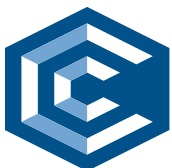
SEE IT IN ACTION!

Watch demo videos at

AirSweepSystems.com

*Contact us for a detailed AirSweep® System proposal,
engineered specifically for your application.*

(860) 928-6551 • Sales@ControlConceptsUSA.com



**CONTROL
CONCEPTS USA**

*AirSweep® Systems is a division of
Control Concepts, Inc.,
19 S. Main Street, Brooklyn, CT 06234
ControlConceptsUSA.com*

Proudly made in the USA. ©2019 Control Concepts USA. All rights reserved.